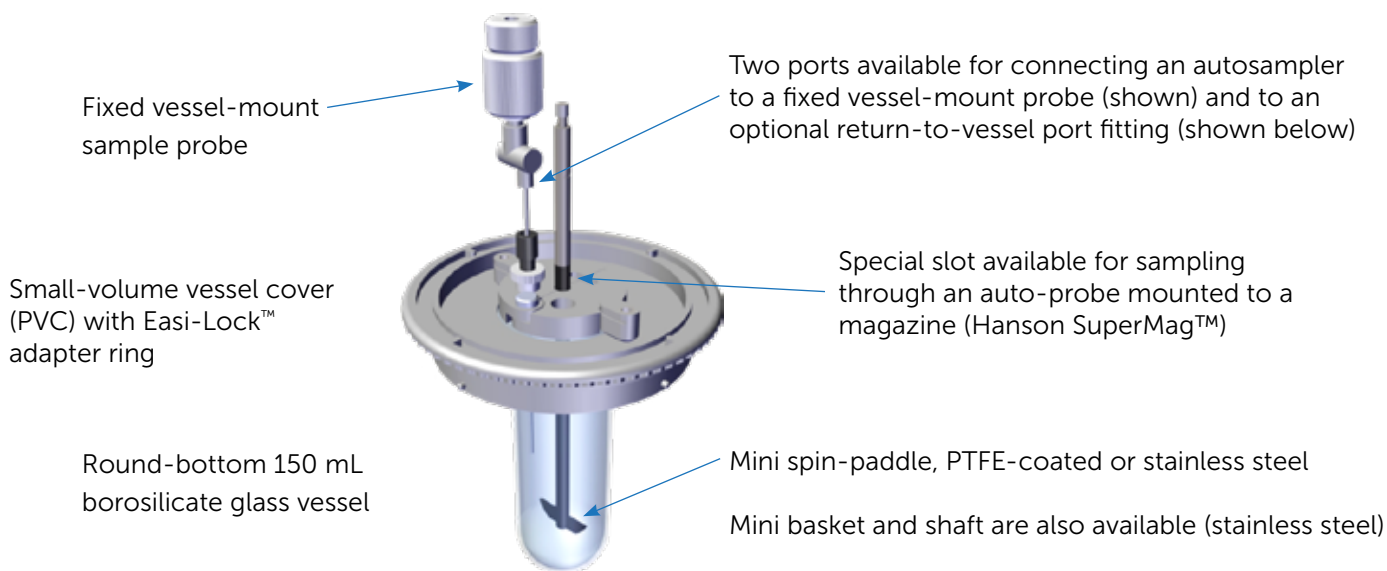


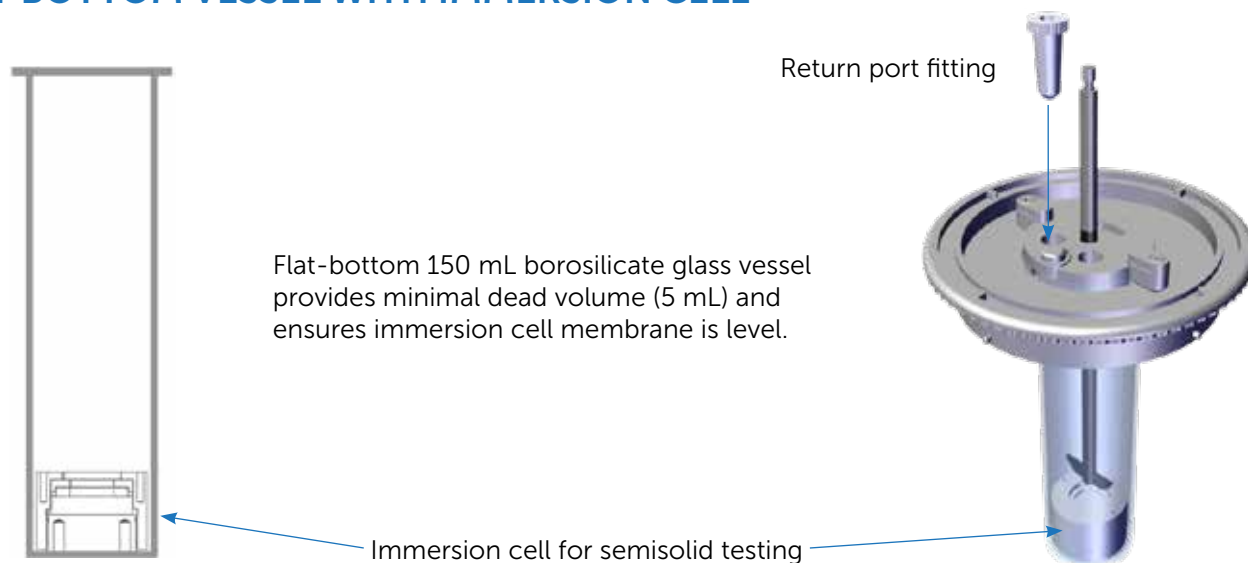
Small Volume Accessories for Vision® G2 Testers

Convert your 1-liter Vision® G2 Elite 8™ or Vision® G2 Classic 6™ tester into a small-volume dissolution system (manual or automated sampling) for low-concentration drug formulations and other special applications.

SMALL VOLUME CONFIGURATION WITH ROUND BOTTOM VESSEL



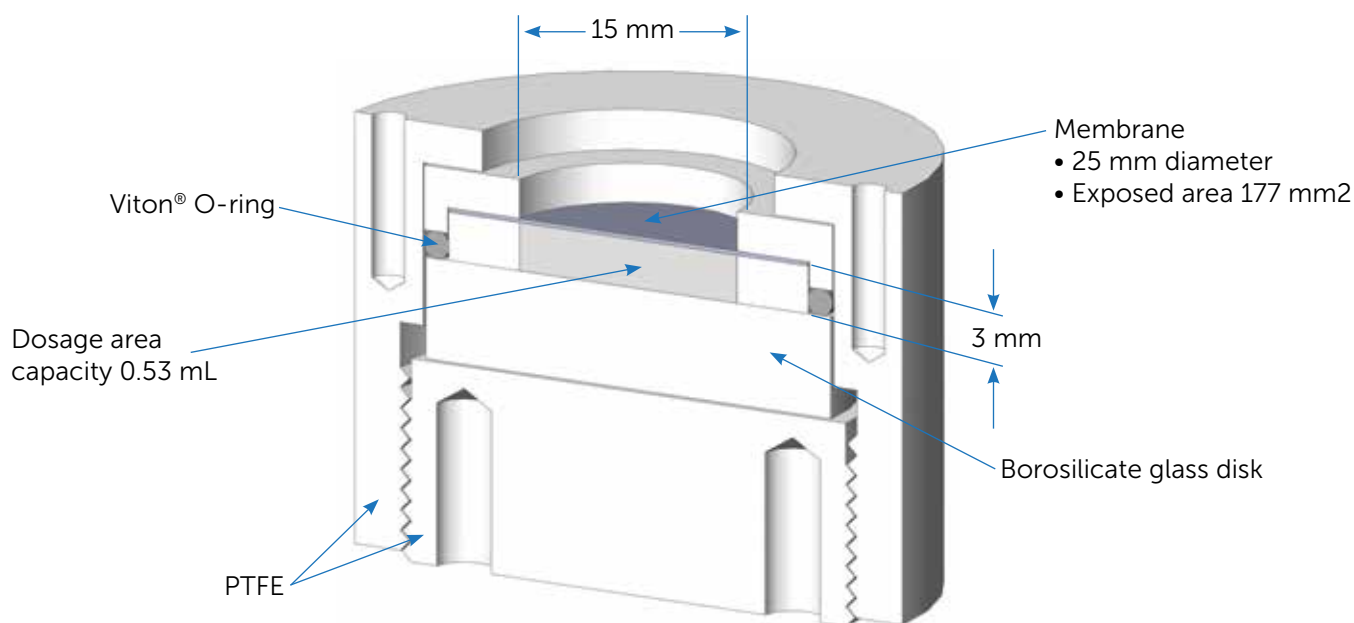
FLAT BOTTOM VESSEL WITH IMMERSION CELL



Small Volume Accessories for Vision® G2 Testers

The Teledyne LABS immersion cell allows release-rate testing of semisolids using standard Vision G2 dissolution testers. Special tools provide fast and easy setup and removal of the immersion cell.

IMMERSION CELL DESIGN



ORDERING INFO

For further information please contact your Teledyne LABS representative or email us at hansonsales@teledyne.com.

SMALL VOLUME VESSELS

- 74-105-151 Vessel, Round Bottom, 150 mL
- 74-105-161 Vessel, Round Bottom, 150 mL, Amber
- 74-105-152 Vessel, Flat Bottom, 150 mL

PADDLES AND BASKETS

- 74-105-203 Mini Spin-Paddle, PTFE Coated
- 74-105-204 Mini Spin-Paddle, 316 SS
- 74-105-221 Mini Basket, 40 Mesh, 316 SS
(Min. order 6; requires Mini Spin-Basket Shaft 74-105-220)
- 74-105-220 Mini Spin-Basket Shaft (Min. order 6; order with Mini Basket 74-105-221)

SAMPLING PROBES

- 74-104-201 Manual Sampling Cannula, Adjustable, 1/8 in., PEEK
- 74-105-307 Auto-Probe, 1/8 in., PEEK (requires SuperMag™ and Tubing Harness)

IMMERSION CELLS

- 65-190-043 Immersion Cell Only, 15 mm
- 65-190-051 Immersion Cell w/Tools, 15 mm (Single Cell)
- 65-190-052 Immersion Cell w/Tools, 15 mm (Set of 6)

COVERS, ADAPTER RINGS, RETURN PORT FITTING

- 74-104-163 Vessel Cover for 150 mL Vessels
- 74-104-155 Easi-Lock Adapter Ring for 150 mL Vessels
- 74-104-205 Return Port Fitting