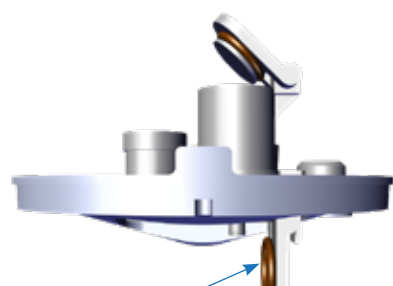
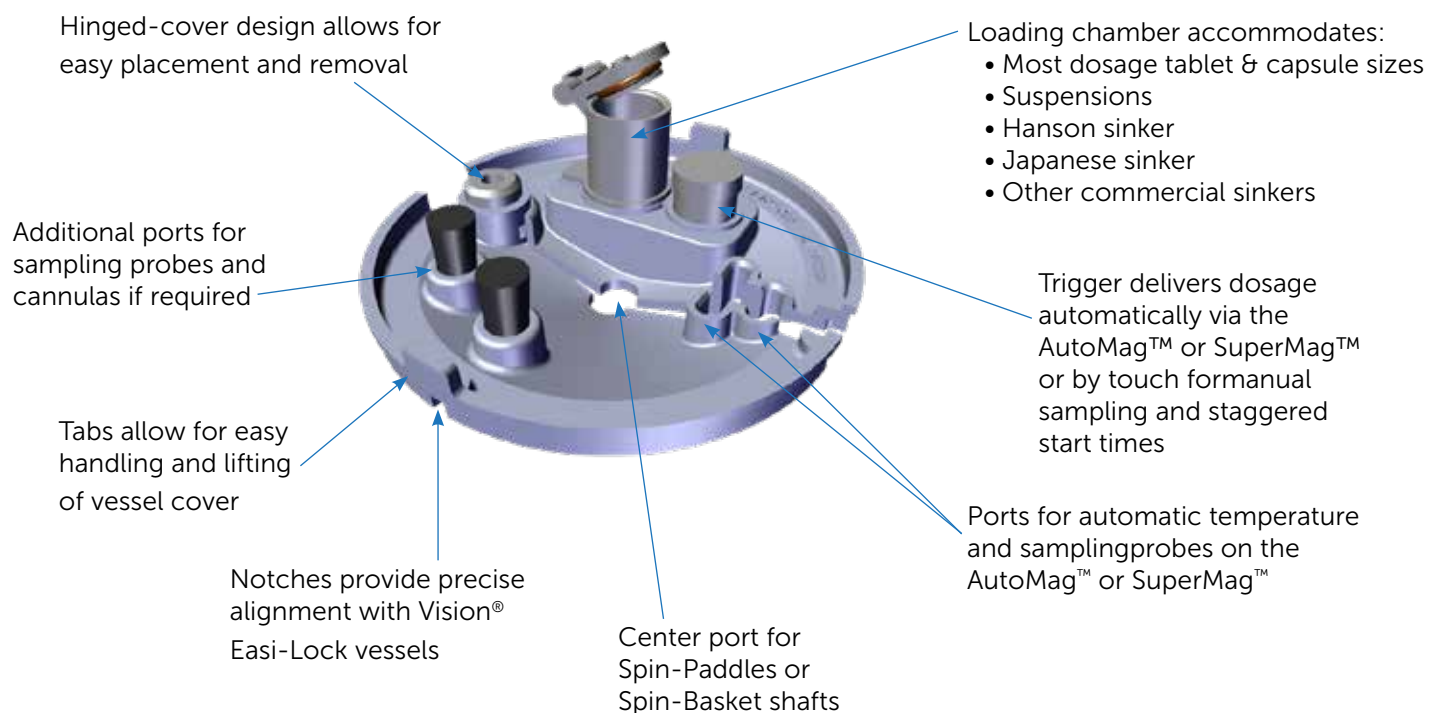


Easi-Lock™ Vessel Covers

Easi-Lock™ Auto-Dosage Delivery™ Vessel Cover

Keep media evaporation to a minimum with the newly redesigned Easi-Lock vessel cover. The new Easi-Lock vessel cover comes in two distinct styles: (1) the standard Easi-Lock vessel cover and (2) the Easi-Lock Auto-Dosage Delivery (ADD)™ vessel cover, which is ideal for suspensions, solid dosage forms, and sinkers. Both styles are available for use with Vision Easi-Lock vessels.



O-Ring design allows liquids to be placed in loading chamber or provides moisture barrier for dosage so the tablet stays dry for hours.



Conical shape encourages condensation to run down to the low point and drip back into the vessel.



EASI-LOCK™ VESSEL COVER
The standard Easi-Lock vessel cover comes with all the same features except for the loading chamber and trigger.

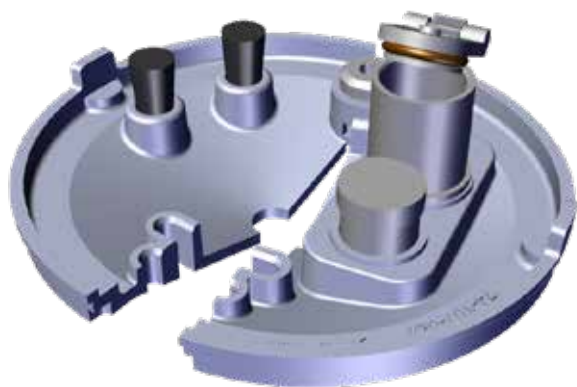
Easi-Lock Vessel Covers



EASI-LOCK™

VESSEL COVER SPECIFICATIONS

Wetted material: PVC
Black plug material (2 provided): EPDM
Outside diameter (that contacts vessel): 119 mm
Inside diameter of vessel (min required): 100 mm



EASI-LOCK™ AUTO-DOSAGE DELIVERY (ADD™)

VESSEL COVER SPECIFICATIONS

Wetted material: PVC; Silicone O-Ring
Black plug material (2 provided): EPDM
Outside diameter: 119 mm
Loading chamber volume: 8.5 mL
Loading chamber depth: 30 mm
Loading chamber diameter: 19 mm
Inside diameter of vessel (min required): 100 mm

ORDERING INFO

For more information, please contact your local representative or email us at:

hansonsales@teledyne.com

74-107-022 Easi-Lock Vessel Cover

74-107-023 Easi-Lock ADD Vessel Cover